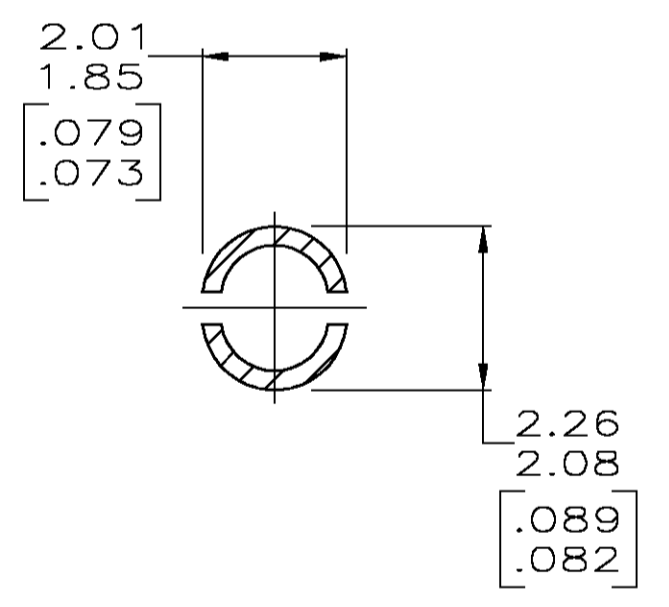
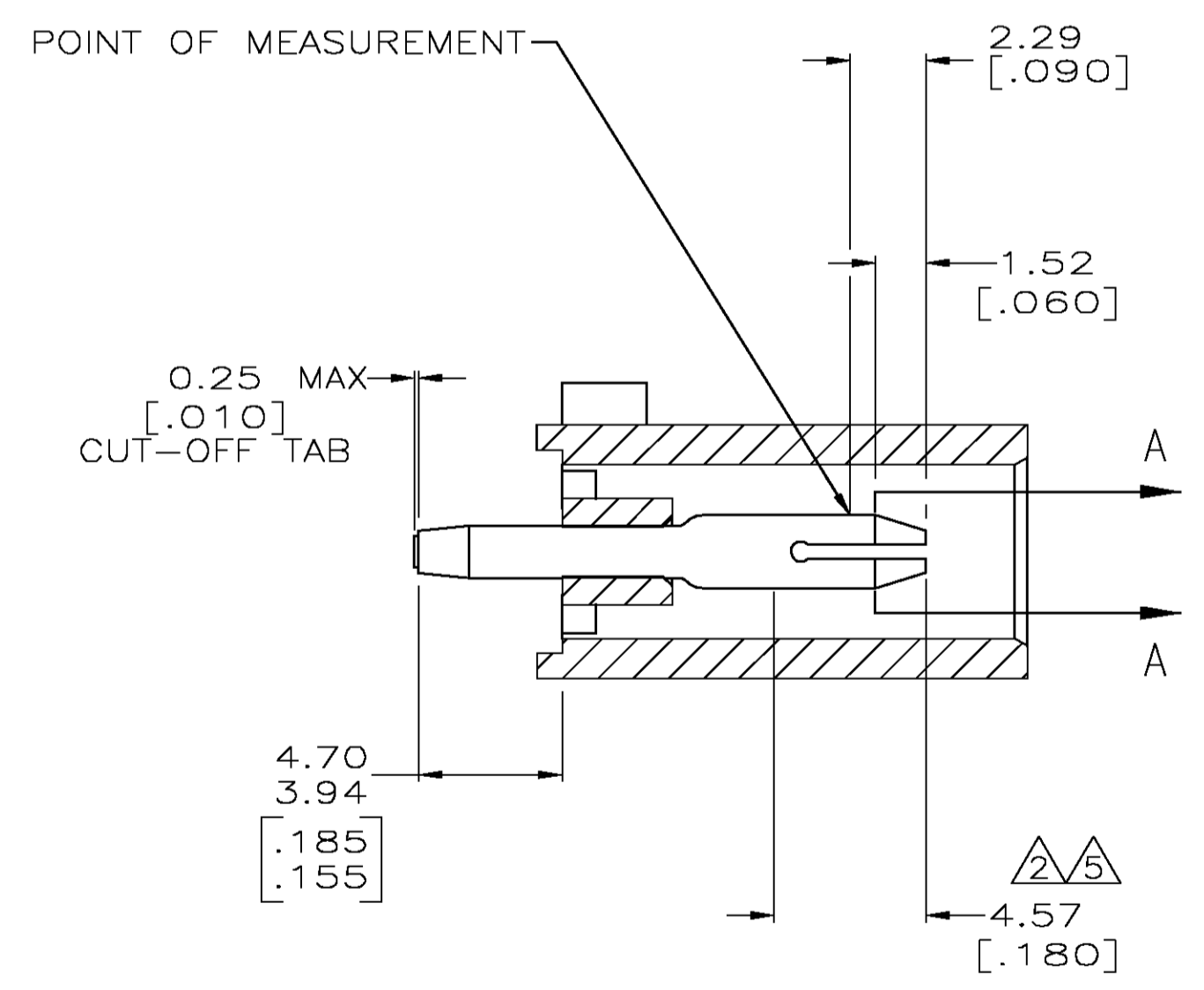
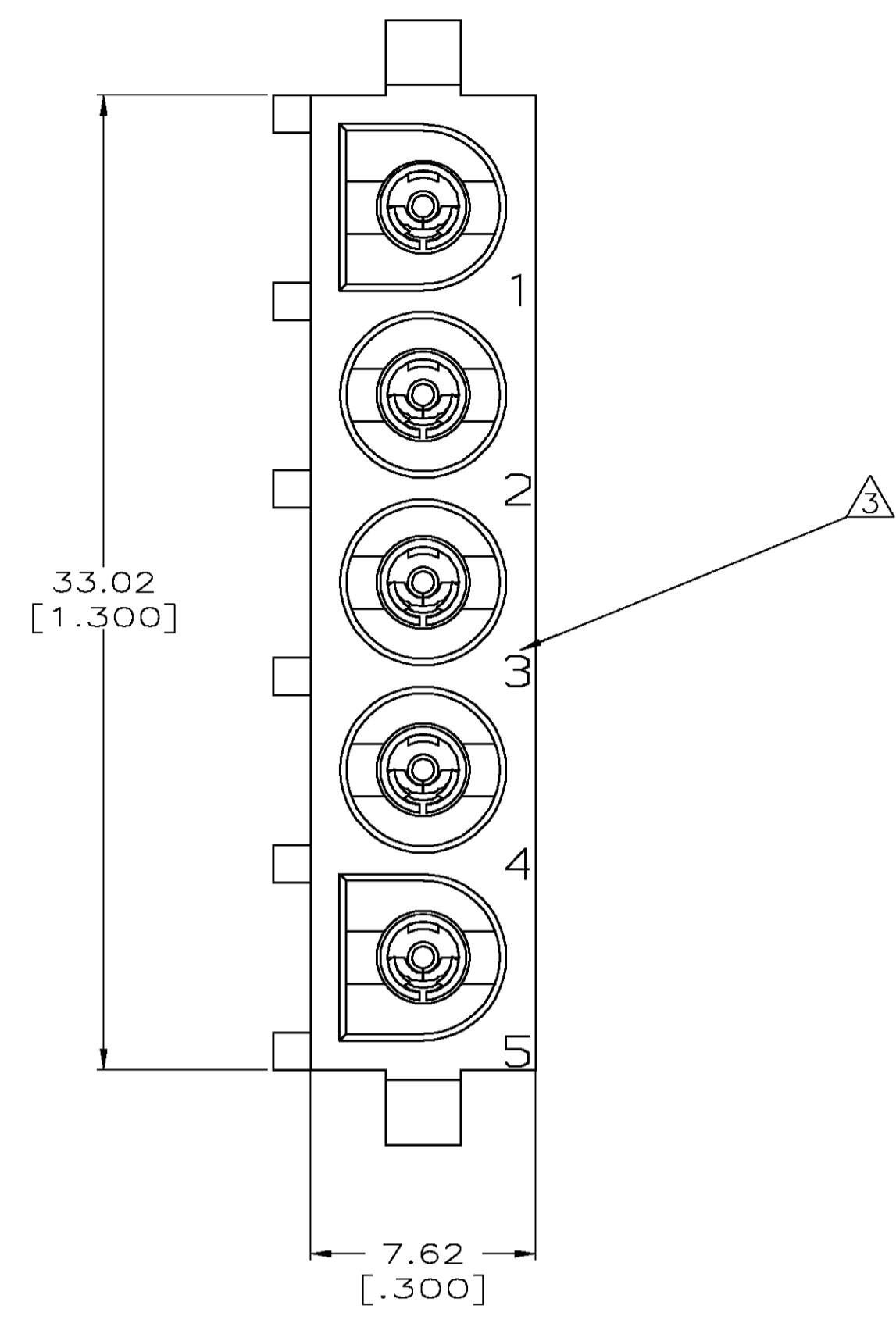
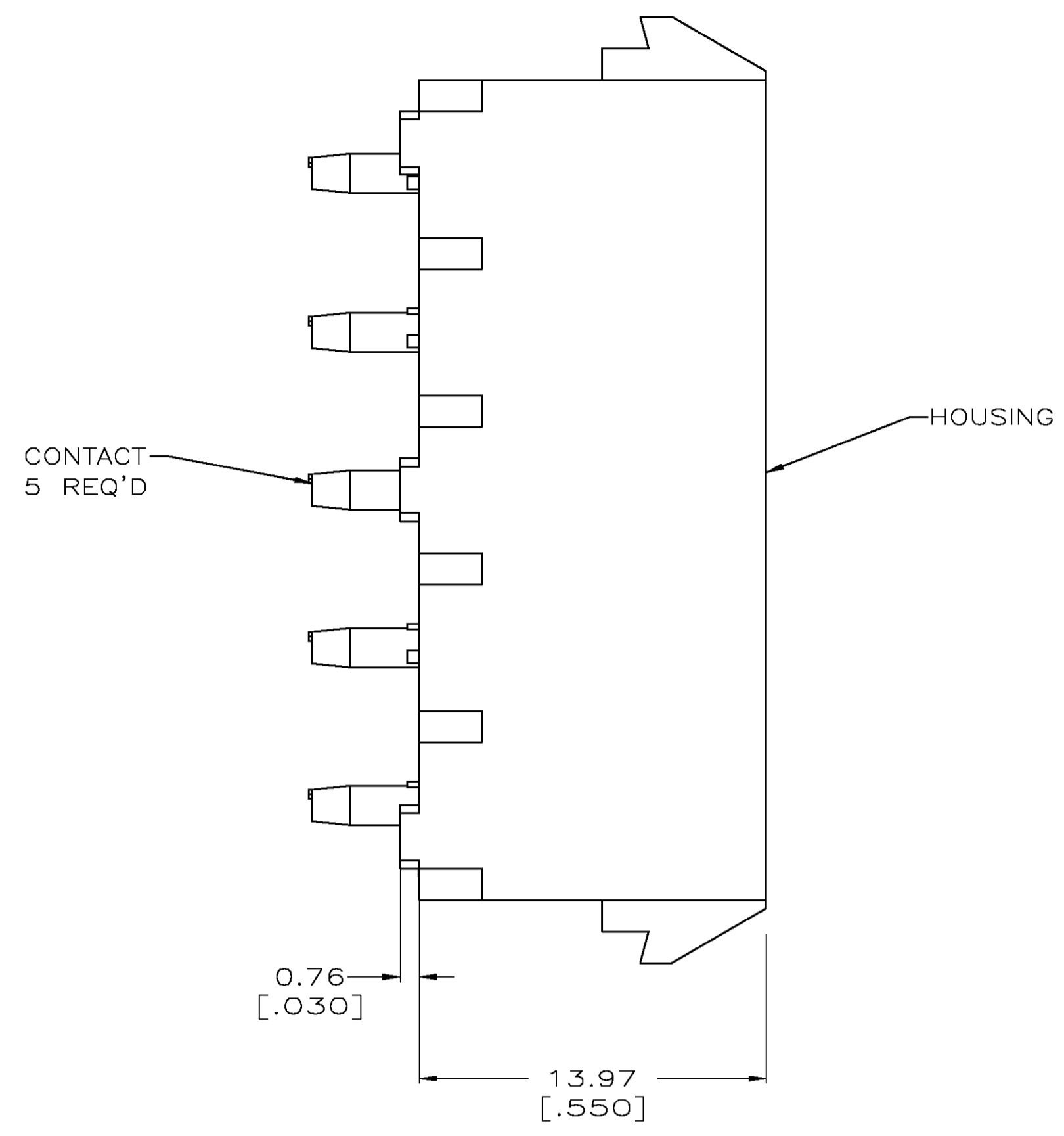
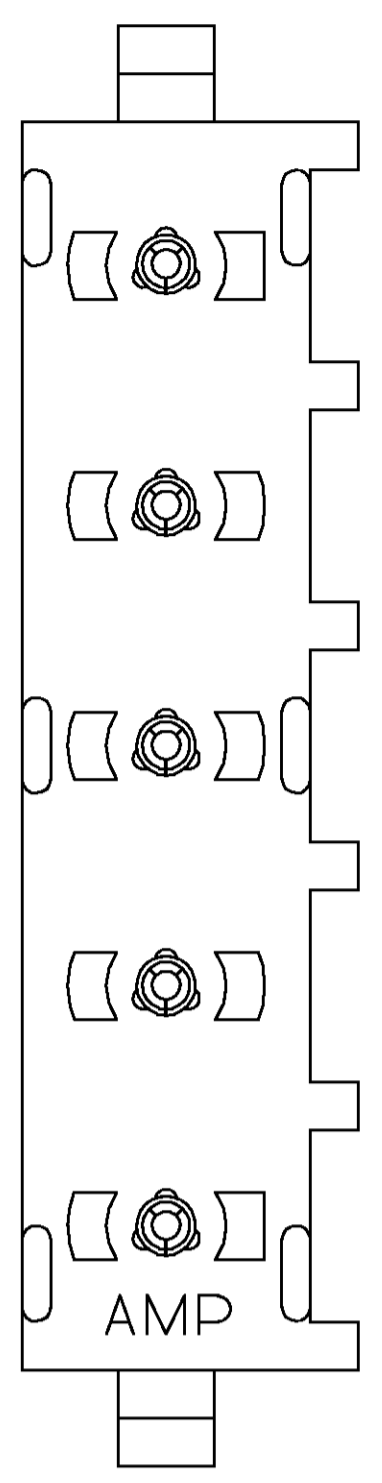
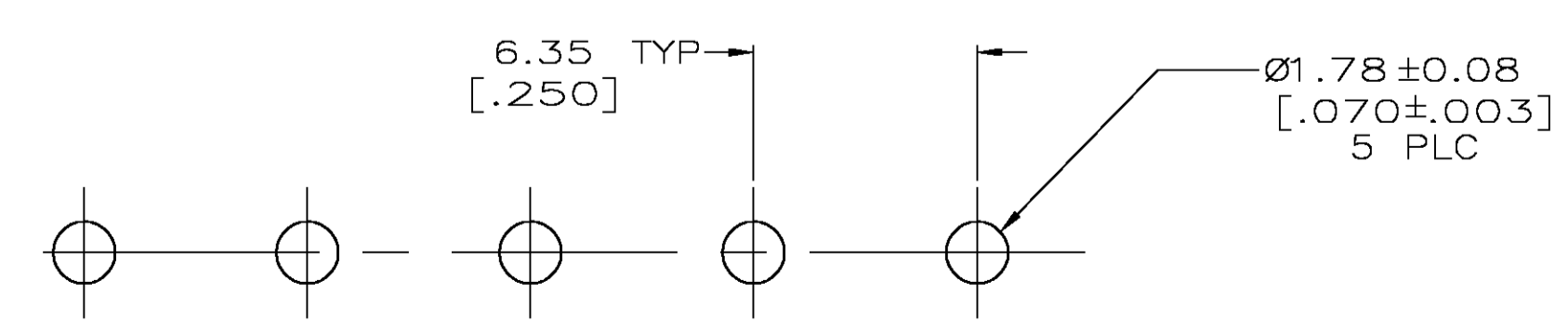


LOC		DIST		REVISIONS			
P	LTR	DESCRIPTION	DATE	BY	APPD		
M	REV	ISED	PER	OG3B-1094-04	18JAN05	KW	SR

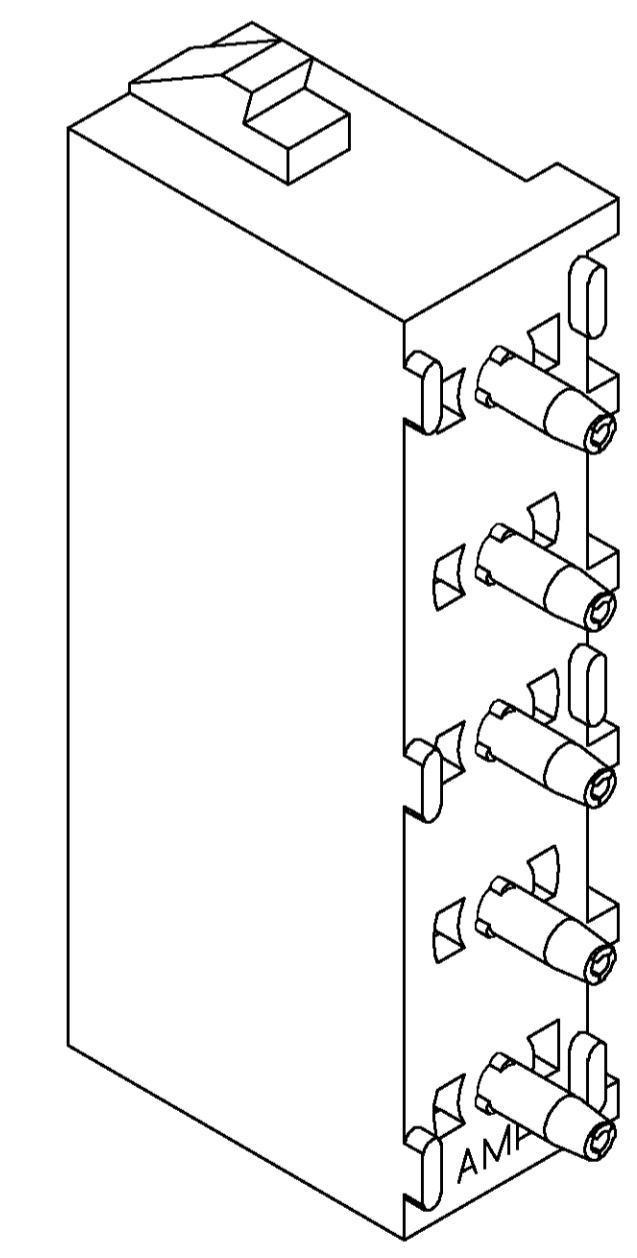


SECTION A-A
SCALE 10:1



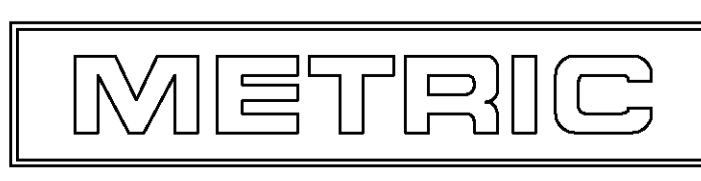
RECOMMENDED MOUNTING HOLE PATTERN FOR 1.57 [.062] THICK P.C. BOARD

- PARTS COMPLY TO AMP SOLDERABILITY SPECIFICATION 109-11-3.
- CONTACT IS PLATED OVERALL WITH 0.00127 [.000050] NICKEL, THEN 0.00076 [.000030] GOLD OVER CONTACT LENGTH INDICATED AND MATTE TIN LEAD ON SOLDER TAIL END.
- CIRCUIT IDENTIFICATION CHARACTERS ARE ADJACENT TO THE INDICATED CAVITIES, BUT LOCATION AND ORIENTATION MAY DIFFER FROM PRINT.
- DIMENSIONS IN BRACKETS ARE IN INCHES.
- CONTACT IS PLATED OVERALL WITH 0.00127 [.000050] NICKEL, THEN 0.00076 [.000030] GOLD OVER CONTACT LENGTH INDICATED AND MATTE TIN ON SOLDER TAIL END.



3-DIMENSIONAL MODEL NTS

PIN CONTACT MATERIAL AND FINISH	HOUSING MATERIAL	PART NUMBER
PHOSPHOR BRONZE, GOLD	NYLON,UL94V-2,NATURAL	640466-3
PHOSPHOR BRONZE, GOLD	NYLON,UL94V-2,NATURAL	640466-2
PHOSPHOR BRONZE, PRE-TIN	NYLON,UL94V-2,NATURAL	640466-1



THIS DRAWING IS A CONTROLLED DOCUMENT.

DIMENSIONS: mm [INCHES]	TOLERANCES UNLESS OTHERWISE SPECIFIED:	APVD: M. TRULL	NAME: PIN HEADER ASSEMBLY, 5 CIRCUIT UNIVERSAL MATE-N-LOK™
0 PLC ± -	1 PLC ± -	2 PLC ± -	3 PLC ± 0.13 [.005]
4 PLC ± -	5 PLC ± -	ANGLES ± - 0° 30'	FINISH: SEE TABLE

DATE: 10-05-98	BY: LEWIS	DATE: 10-05-98	CHK: R. SWING
SIZE: A1	SCALE: 5:1	CAGE CODE: 00779	DRAWING NO: 640466
CUSTOMER DRAWING		SHEET: 1 OF 1	REV: M

Tyco Electronics Corporation
Greensboro, NC 27409